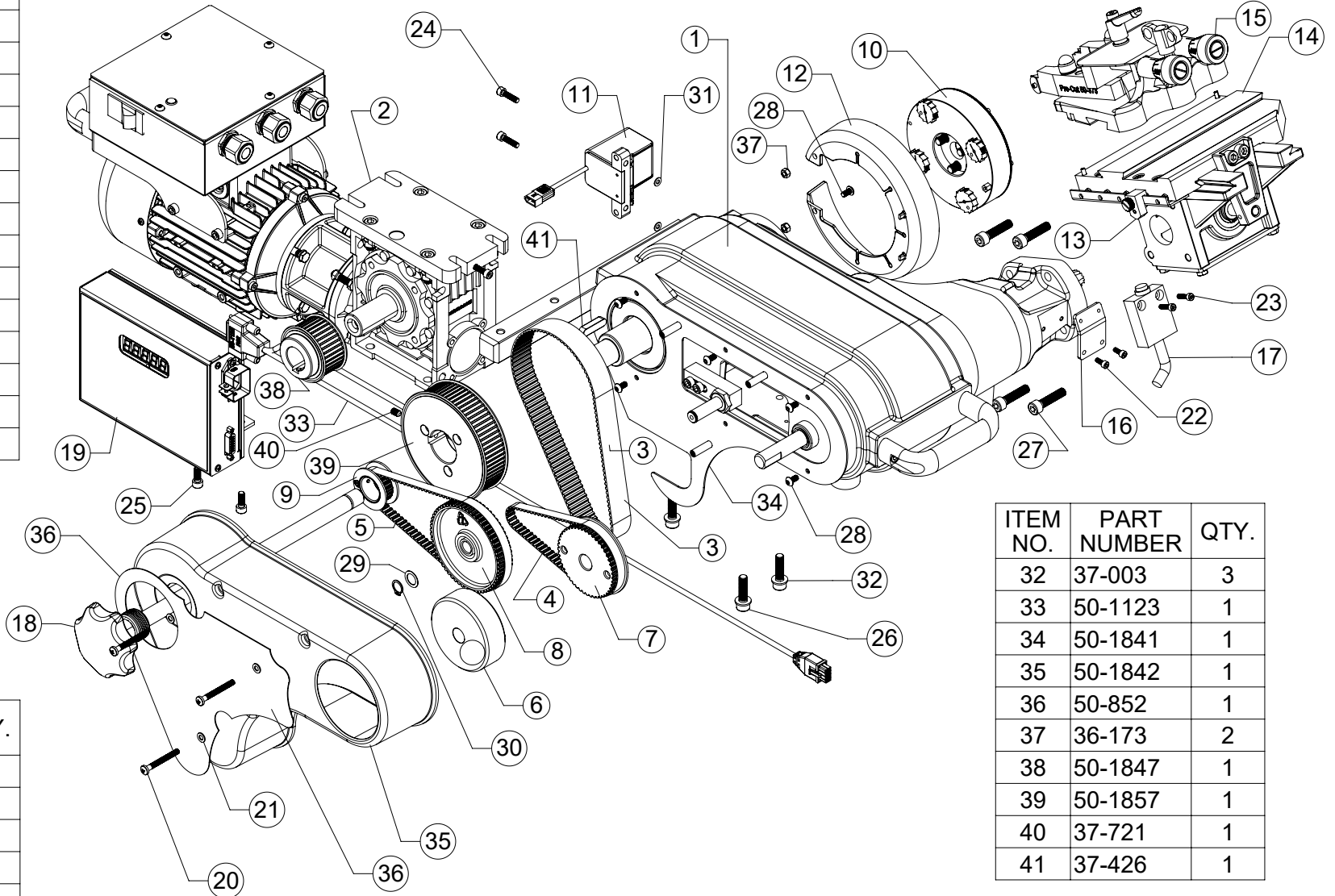


ITEM NO.	PART NUMBER	QTY.
1	50-1801	1
2	50-1902	1
3	37-1807	1
4	50-567	1
5	37-1808	1
6	50-570	1
7	50-566	1
8	50-565	1
9	50-1831	1
10	50-2400	1
11	50-1804	1
12	50-1808	1
13	50-1824	1
14	50-144	1
15	50-220	1
16	50-1811	1
17	50-560	1
18	50-1839	1
19	50-1186	1
20	35-821	3

50-1800

ITEM NO.	PART NUMBER	QTY.
26	35-274	3
27	35-272	4
28	35-919	7
29	37-493	1
30	37-494	1
31	37-018	2

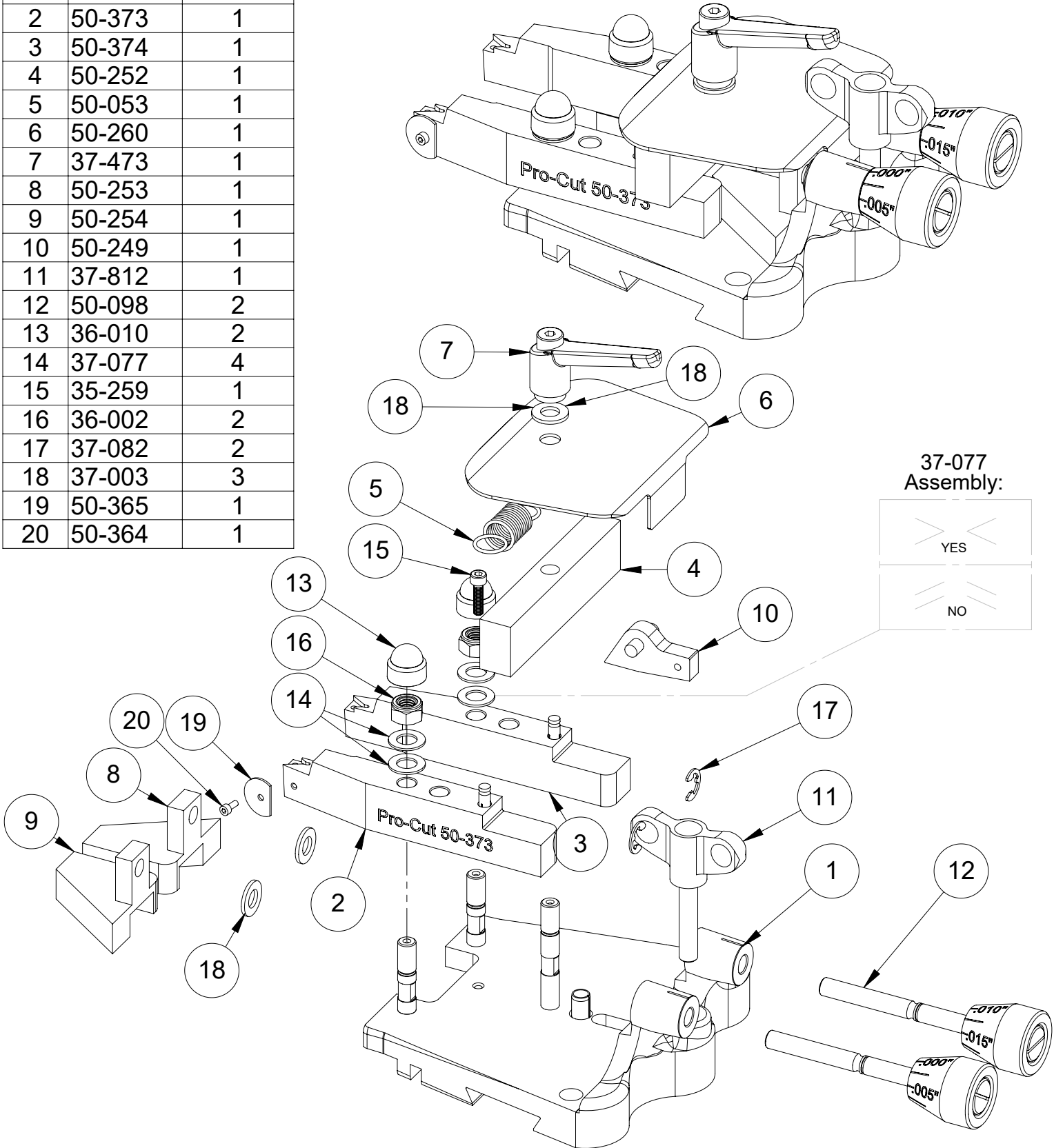


ITEM NO.	PART NUMBER	QTY.
21	37-025	3
22	35-270	2
23	35-259	2
24	35-271	2
25	35-718	2

ITEM NO.	PART NUMBER	QTY.
32	37-003	3
33	50-1123	1
34	50-1841	1
35	50-1842	1
36	50-852	1
37	36-173	2
38	50-1847	1
39	50-1857	1
40	37-721	1
41	37-426	1

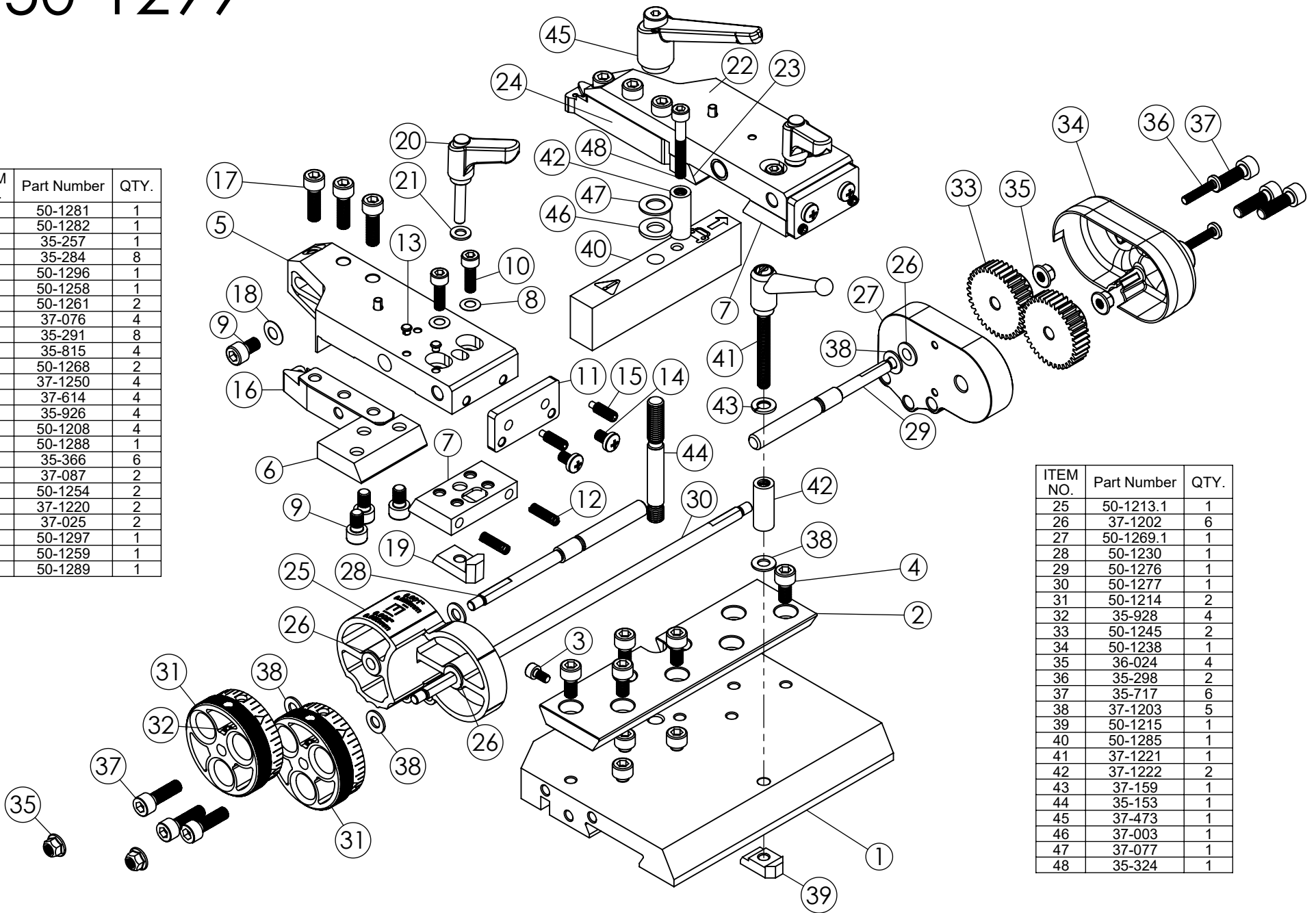
50-220 Cutting Head Assembly

ITEM NO.	PART NUMBER	QTY.
1	50-293	1
2	50-373	1
3	50-374	1
4	50-252	1
5	50-053	1
6	50-260	1
7	37-473	1
8	50-253	1
9	50-254	1
10	50-249	1
11	37-812	1
12	50-098	2
13	36-010	2
14	37-077	4
15	35-259	1
16	36-002	2
17	37-082	2
18	37-003	3
19	50-365	1
20	50-364	1



50-1299

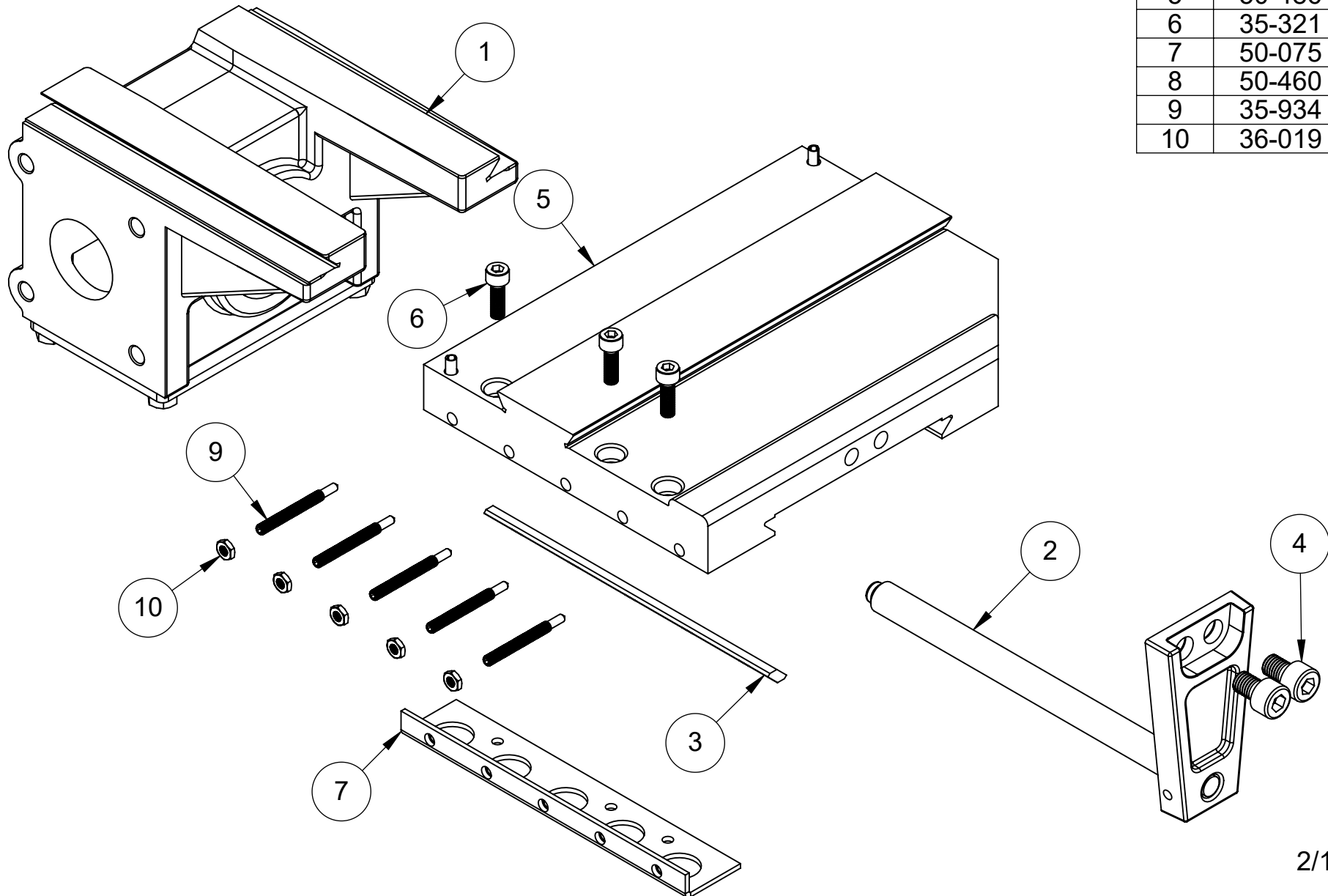
ITEM NO.	Part Number	QTY.
1	50-1281	1
2	50-1282	1
3	35-257	1
4	35-284	8
5	50-1296	1
6	50-1258	1
7	50-1261	2
8	37-076	4
9	35-291	8
10	35-815	4
11	50-1268	2
12	37-1250	4
13	37-614	4
14	35-926	4
15	50-1208	4
16	50-1288	1
17	35-366	6
18	37-087	2
19	50-1254	2
20	37-1220	2
21	37-025	2
22	50-1297	1
23	50-1259	1
24	50-1289	1



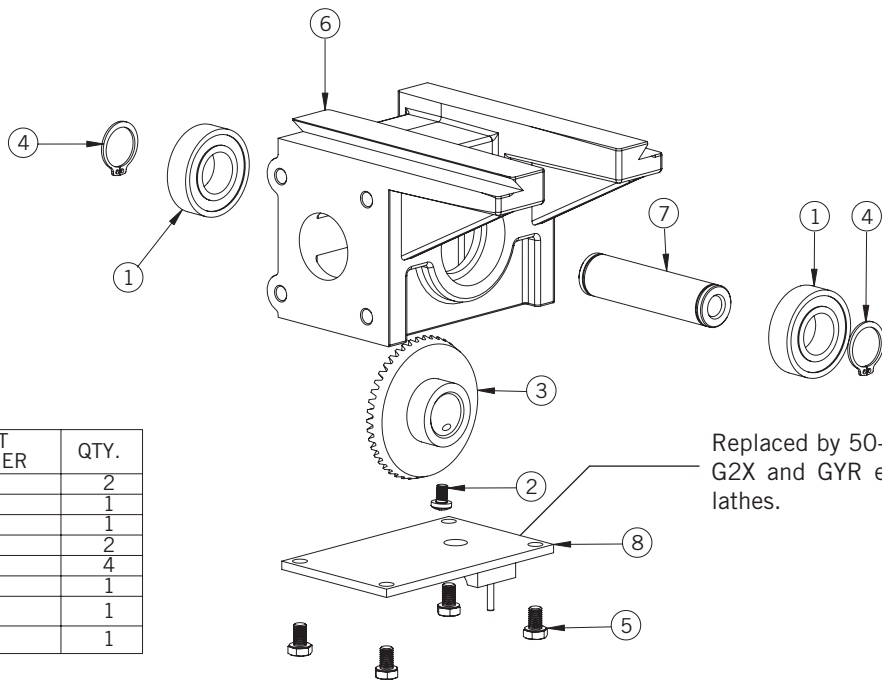
ITEM NO.	Part Number	QTY.
25	50-1213.1	1
26	37-1202	6
27	50-1269.1	1
28	50-1230	1
29	50-1276	1
30	50-1277	1
31	50-1214	2
32	35-928	4
33	50-1245	2
34	50-1238	1
35	36-024	4
36	35-298	2
37	35-717	6
38	37-1203	5
39	50-1215	1
40	50-1285	1
41	37-1221	1
42	37-1222	2
43	37-159	1
44	35-153	1
45	37-473	1
46	37-003	1
47	37-077	1
48	35-324	1

50-144 Gearbox and Slide Assembly

ITEM NO.	PART NUMBER	Qty.
1	50-139	1
2	50-1247	1
3	50-463	1
4	35-237	2
5	50-486	1
6	35-321	3
7	50-075	1
8	50-460	1
9	35-934	5
10	36-019	5



WARTHOG PARTS DIAGRAM 50-139 BEVEL GEAR BOX

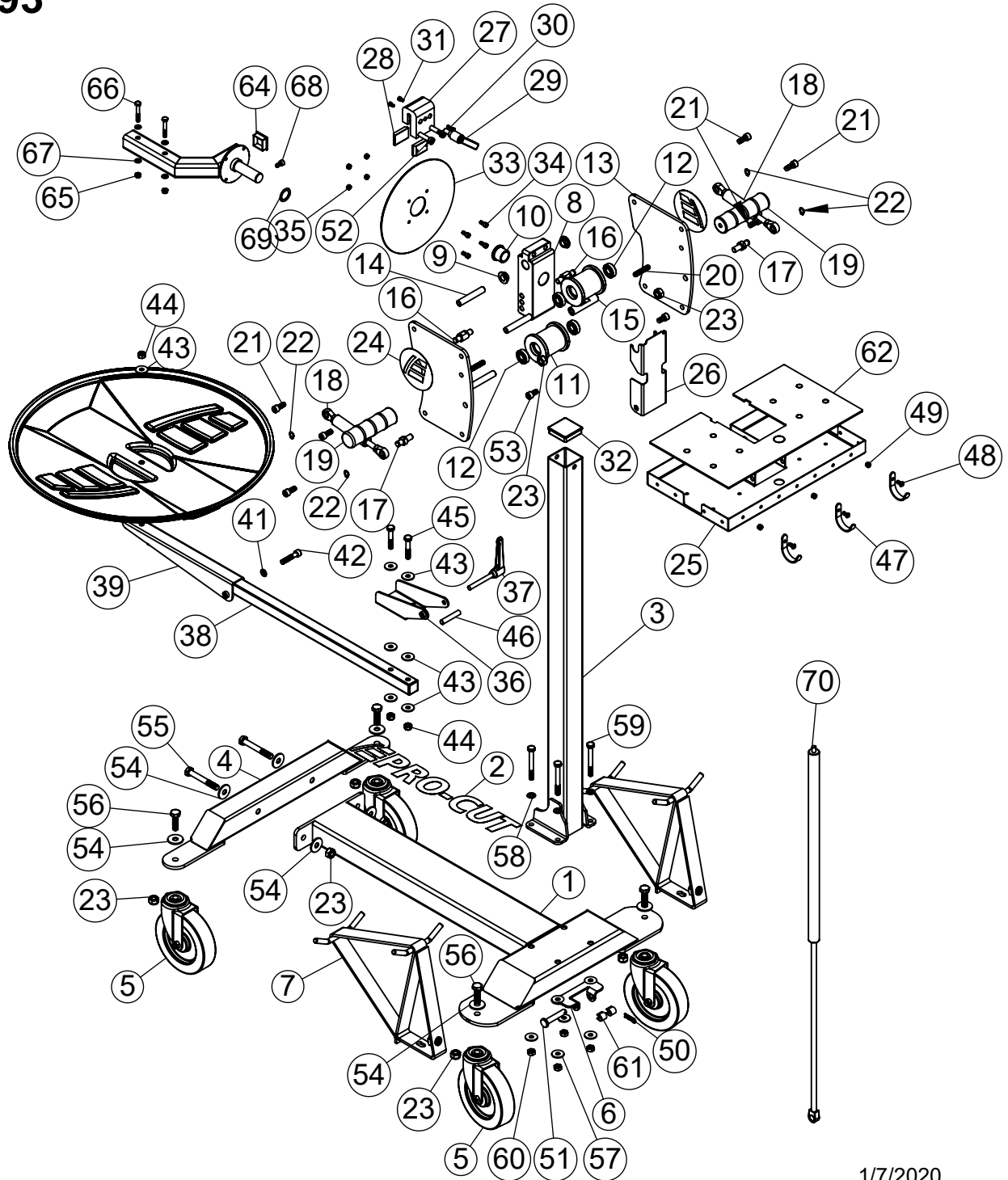


ITEM NO.	PART NUMBER	QTY.
1	37-056	2
2	35-928	1
3	50-021	1
4	37-057	2
5	37-927	4
6	50-014	1
7	50-016	1
8	50-039	1

Replaced by 50-1148 in
 G2X and GYR equipped
 lathes.

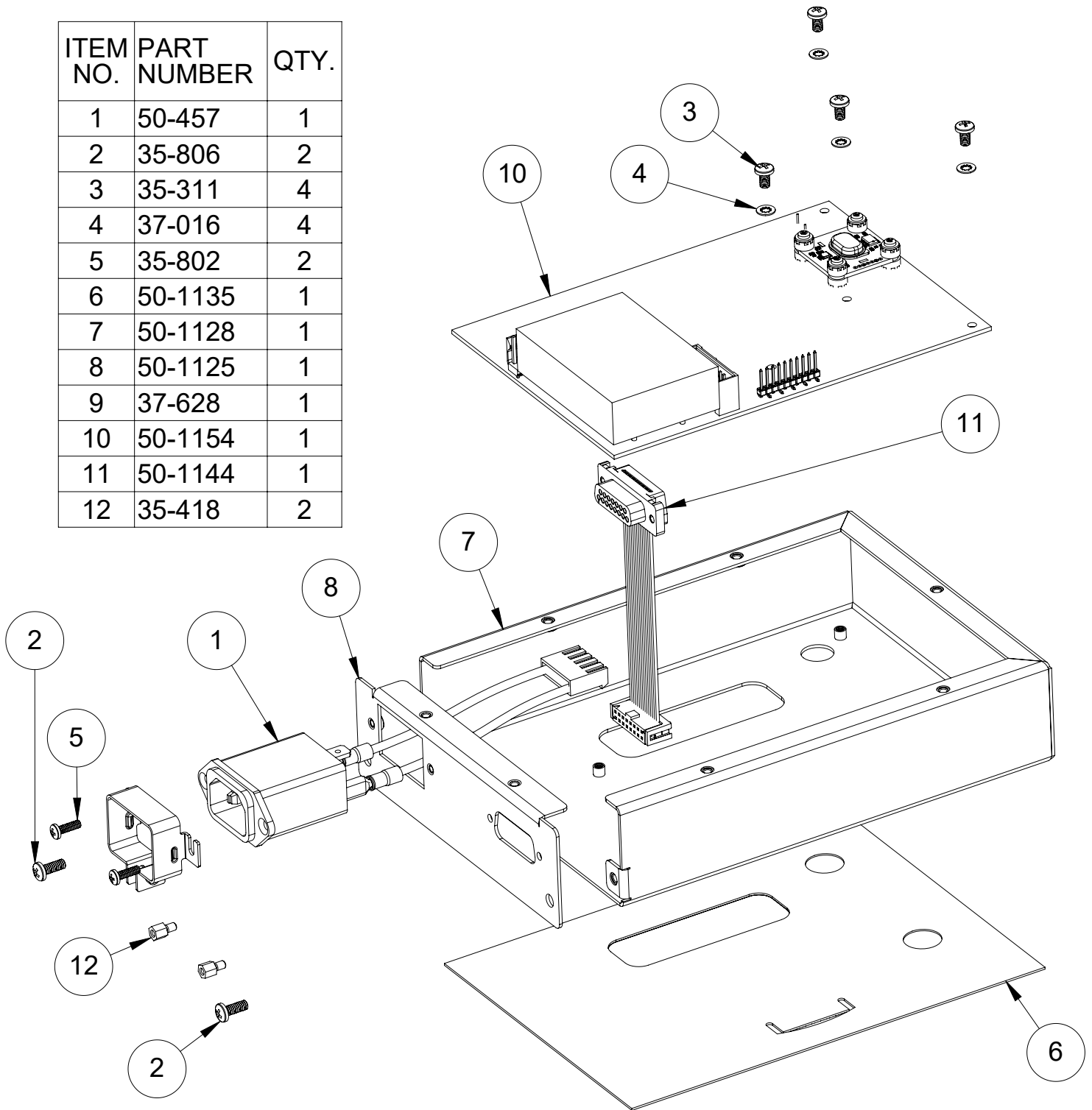
50-2193

ITEM NO.	PART NUMBER	QTY.
1	50-2047	1
2	50-867	1
3	50-2048	1
4	50-2029	1
5	37-038	4
6	50-2019	1
7	50-2030	2
8	50-2073.1	1
9	37-304	2
10	37-305	2
11	50-2072.1	2
12	37-064	4
13	50-2071	2
14	50-2076	3
15	50-2016	1
16	50-2074	2
17	50-2075	2
18	37-485	2
19	50-1032	2
20	37-721	2
21	35-239	6
22	37-498	4
23	36-001B	8
24	50-868	2
25	50-1456	1
26	50-2078	1
27	50-1061	1
28	50-1062	2
29	37-1065	1
30	35-307	2
31	35-815	2
32	37-618	1
33	50-2034	1
34	35-292	4
35	36-172	4
36	50-2041	1
37	37-484	1
38	50-2042	1
39	50-2043	1
40	50-2044	1
41	37-011	1
42	35-293	1
43	37-110	7
44	36-002	3
45	35-252	2
46	50-2058	1
47	50-2018	3
48	35-278	3
49	36-114	3
50	37-496	1
51	37-046	1
52	35-425	2
53	35-414	2
54	37-993	8
55	35-998	2
56	35-304	4
57	37-110	4
58	37-003	4
59	35-360	4
60	36-009	4
61	50-2046	2
62	50-2082	1
63	50-1828	1
64	37-617	1
65	36-020	2
66	35-256	2
67	37-454	4
68	35-284	1
69	37-097	1
70	37-489	1



50-1190

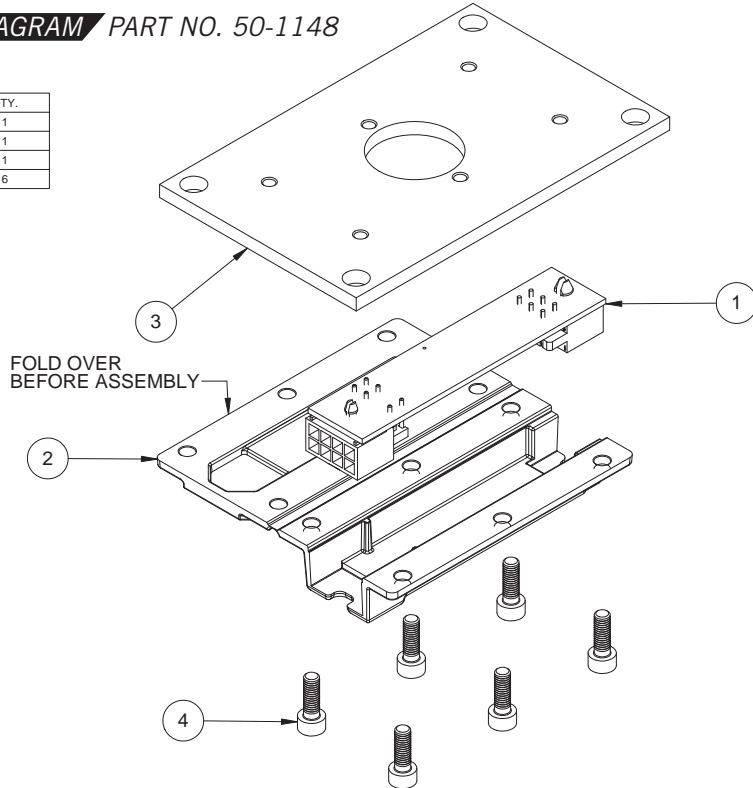
ITEM NO.	PART NUMBER	QTY.
1	50-457	1
2	35-806	2
3	35-311	4
4	37-016	4
5	35-802	2
6	50-1135	1
7	50-1128	1
8	50-1125	1
9	37-628	1
10	50-1154	1
11	50-1144	1
12	35-418	2



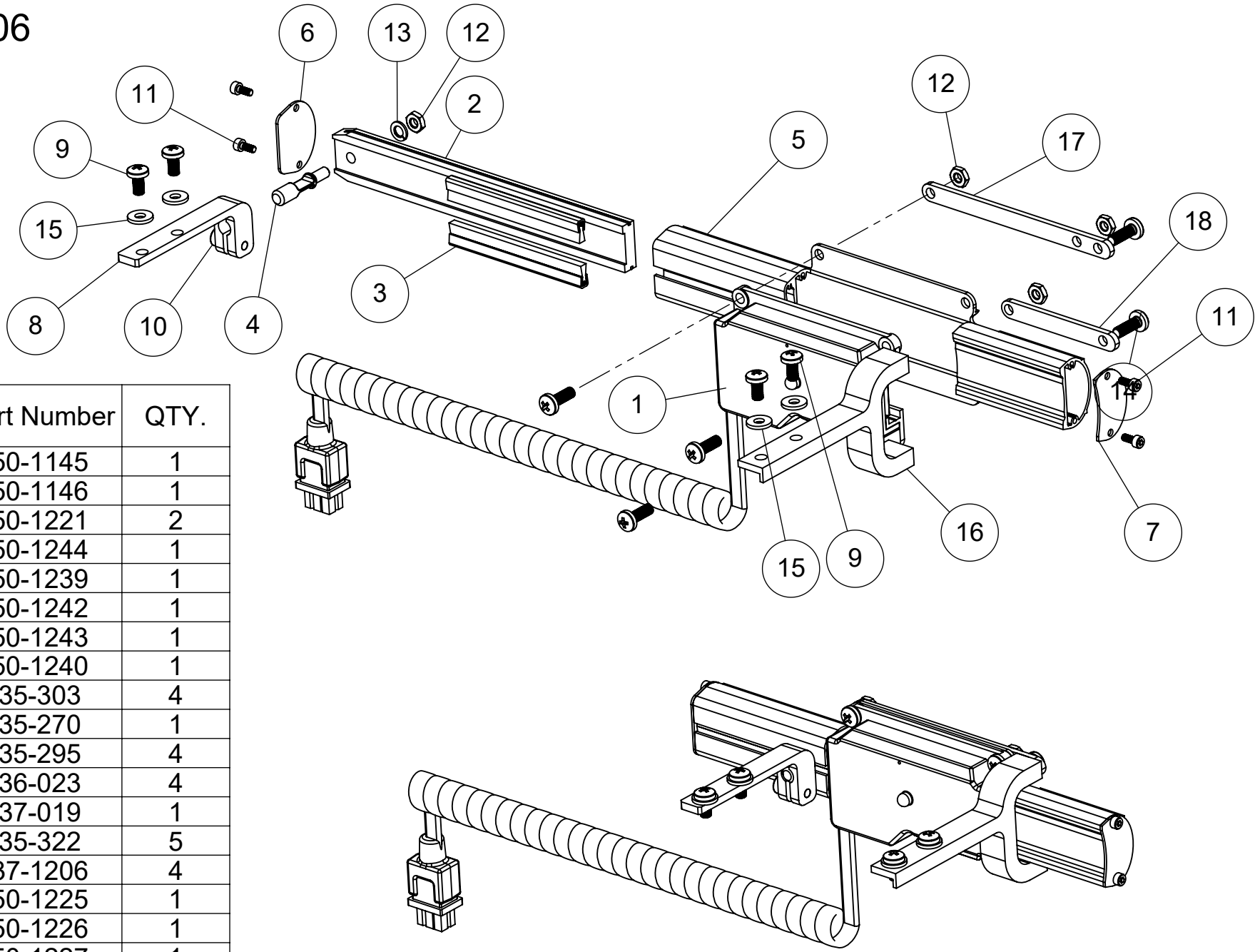
WARTHOG PARTS DIAGRAM PART NO. 50-1148

ITEM NO.	Part Number	QTY.
1	50-1155	1
2	50-1127	1
3	50-1149	1
4	35-258	6

5/18/2011



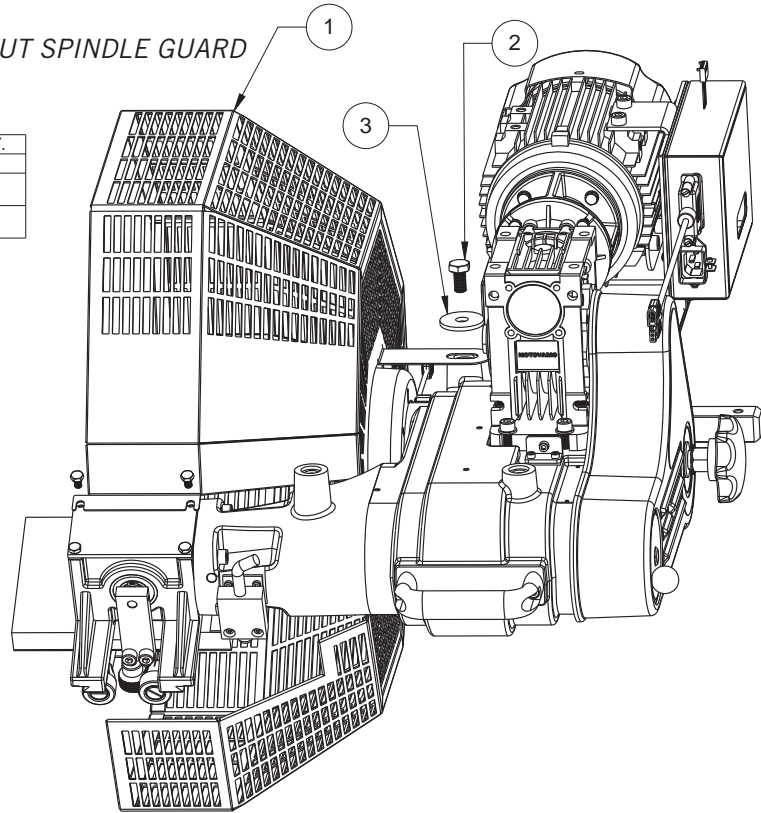
50-1206



ITEM NO.	Part Number	QTY.
1	50-1145	1
2	50-1146	1
3	50-1221	2
4	50-1244	1
5	50-1239	1
6	50-1242	1
7	50-1243	1
8	50-1240	1
9	35-303	4
10	35-270	1
11	35-295	4
12	36-023	4
13	37-019	1
14	35-322	5
15	37-1206	4
16	50-1225	1
17	50-1226	1
18	50-1227	1

WARTHOG PARTS DIAGRAM PRO-CUT SPINDLE GUARD

ITEM NO.	PART NUMBER	DESCRIPTION	QTY.
1	50-1741	9.2 Lathe Guard Weldment	1
2	35-275	Hexagon head screw ISO 4017 - M10 x 20	1
3	37-1730	B18.22M - Plain washer, 10 mm, Wide, Steel, Bright Zinc	1



50-1902

ITEM NO.	PART NUMBER	QTY.
1	50-1526	1
2	37-645	1
3	50-1810	1
4	37-1800	1
5	50-1809	1
6	37-655	2
7	50-1844	1
8	37-813	1
9	35-718	4
10	35-229	2
11	35-240	4
12	35-361	4
13	37-454	8
14	36-022	2
15	35-236	4
16	36-002	4
17	35-271	1
18	36-019	2

