




# TECH BULLETIN

# #69

TECH SUPPORT: phone: 800-543-6618, Prompt #2 email: [service@procutusa.com](mailto:service@procutusa.com)  
 All Pro-Cut technical bulletins: [www.procutusa.com/bulletins.aspx](http://www.procutusa.com/bulletins.aspx)  
[www.procutusa.com](http://www.procutusa.com)  [www.facebook.com/procutusa](http://www.facebook.com/procutusa)

## 50-1280 Assembly and Adjustment

As of 11/23/2016 the 50-1280 will come with a top lock lever in addition to a pin to prevent the lever from swinging around and contacting the rotor. The 50-1280 is capable of extending the cutting arms up to 100mm for larger rotors. It is also easily upgraded to work with both G2X and GYR systems.

### ASSEMBLY INSTRUCTIONS

#### STEP 1

REMOVE PLASTIC SHIPPING CAP FROM M8 CLAMPING STUD.

#### STEP 2

- A. INSTALL FLAT WASHER ONTO STUD.
- B. INSTALL SPRING WASHER WITH CONE POINTING UP.
- C. INSTALL M8 INDEXIBLE LEVER **UNTIL TIGHT, WITH LEVER POINTING TOWARD THE ADJUSTMENT DIALS.**

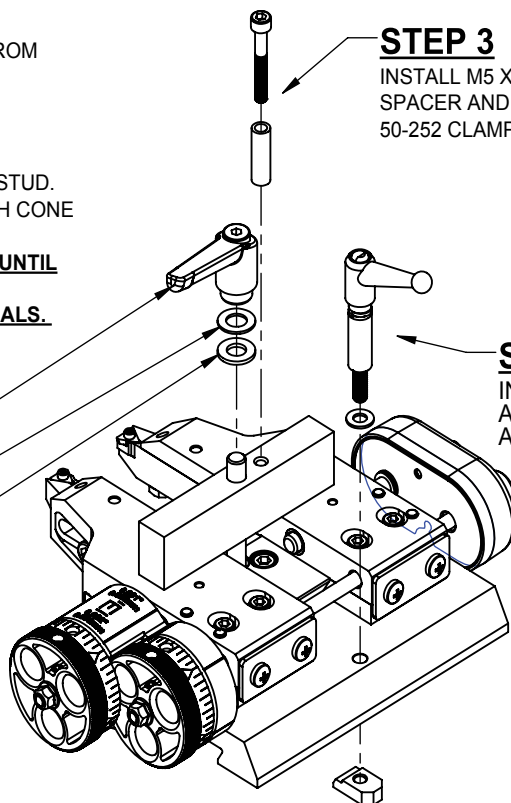
C. M8 INDEXIBLE LEVER  
 B. SPRING WASHER (CONE POINTING UP)  
 A. FLAT WASHER

#### STEP 3

INSTALL M5 X 35 SCREW THROUGH SPACER AND INTO THREADED HOLE IN 50-252 CLAMPING BLOCK.

#### STEP 4

INSTALL REAR POSITION LEVER AND LOCKING CAM AS SHOWN.



Contact the Pro-Cut Service Department at 800.543.6618, Prompt #2, with any questions.

PRO-CUT INTERNATIONAL is the world leader in rotor matching systems.  
 The company is located in West Lebanon, NH.



# TECH BULLETIN

# #69

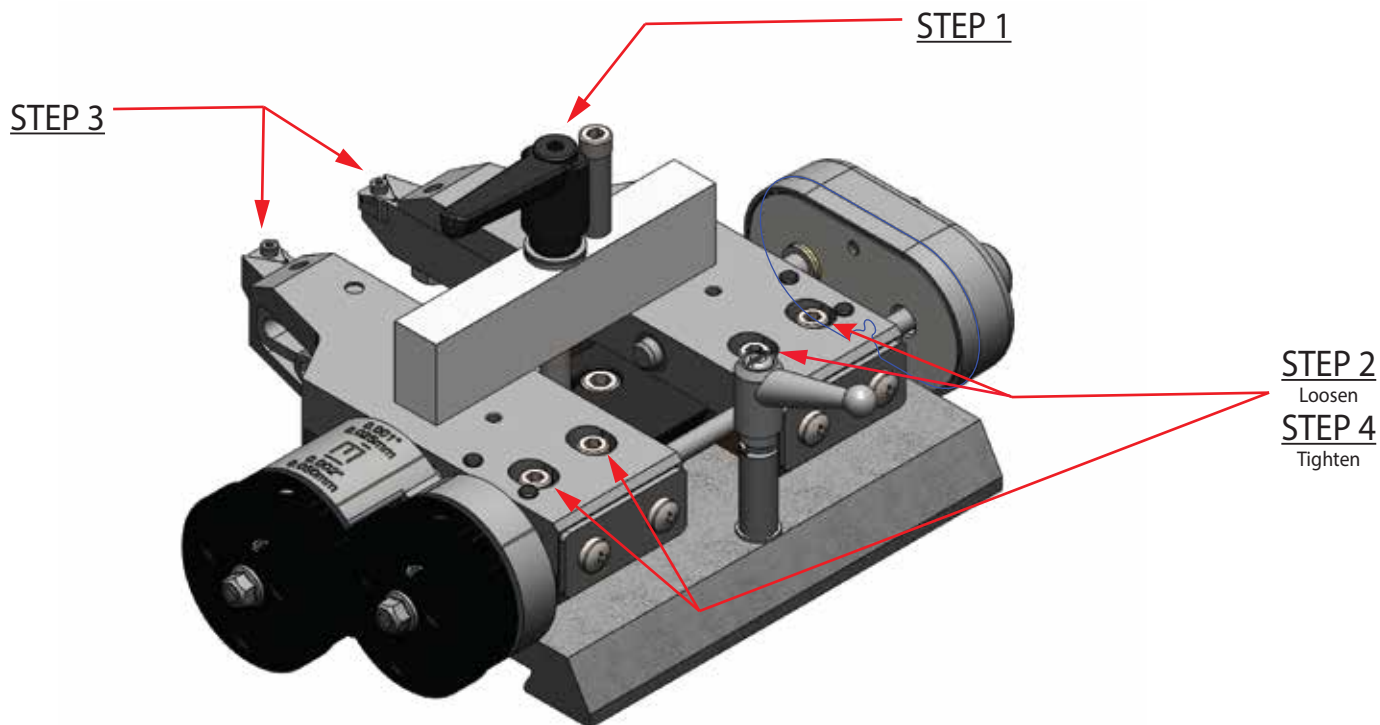
Page 2

## 50-1280 Assembly and Adjustment

### ADJUSTMENT INSTRUCTIONS

This adjustment can be done if the cutting arms feel loose.

1. Loosen the lock down lever.
2. Using a full size 4mm Allen wrench, loosen the 4 wedge locating Allen screws.
3. Wiggle both arms back and forth.
4. Tighten the 4 wedge locating Allen screws.
5. Check the arms for movement.



Contact the Pro-Cut Service Department at 800.543.6618, Prompt #2, with any questions.

PRO-CUT INTERNATIONAL is the world leader in rotor matching systems.  
The company is located in West Lebanon, NH.